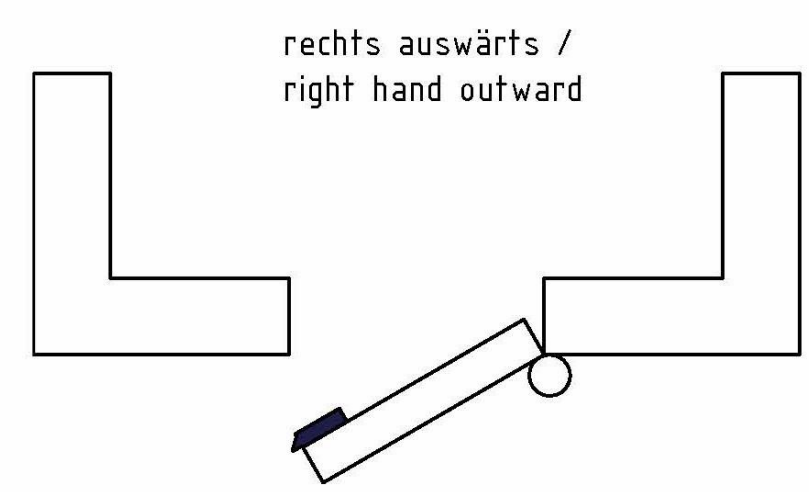
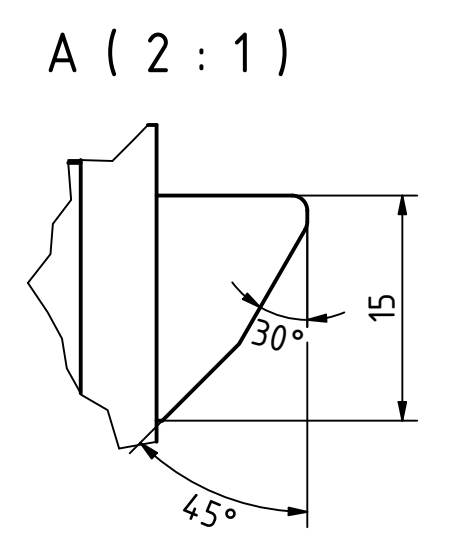
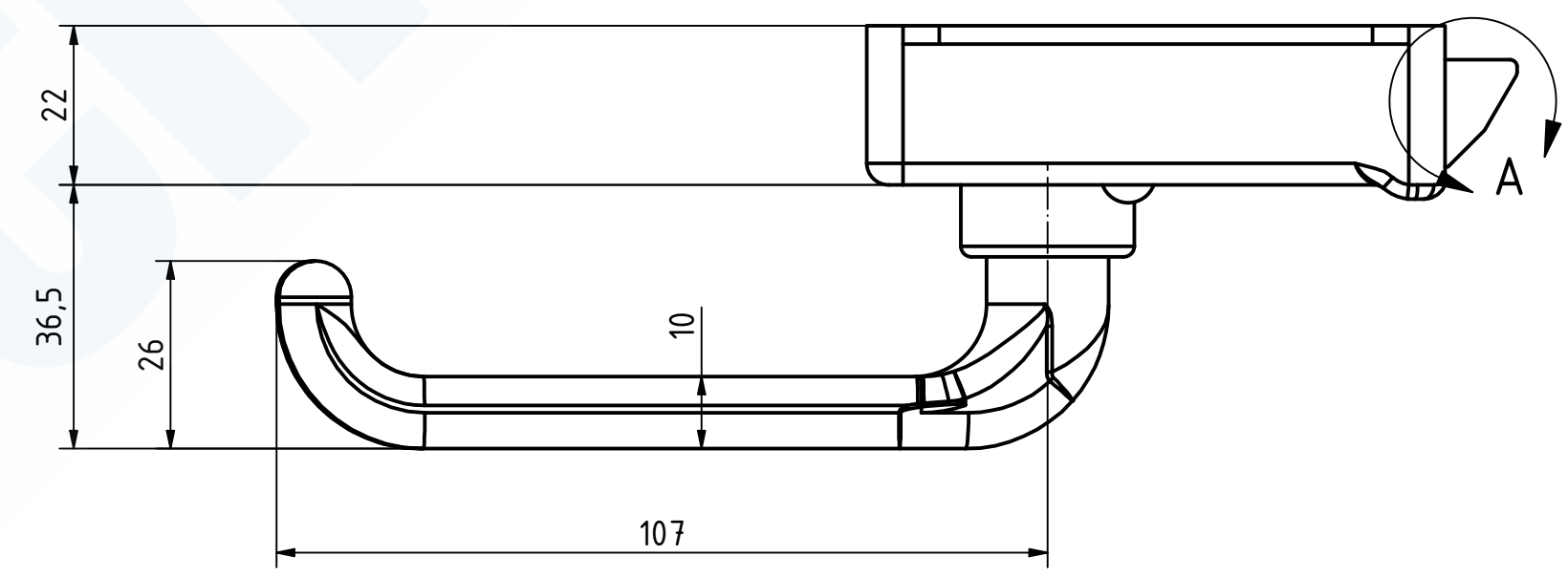
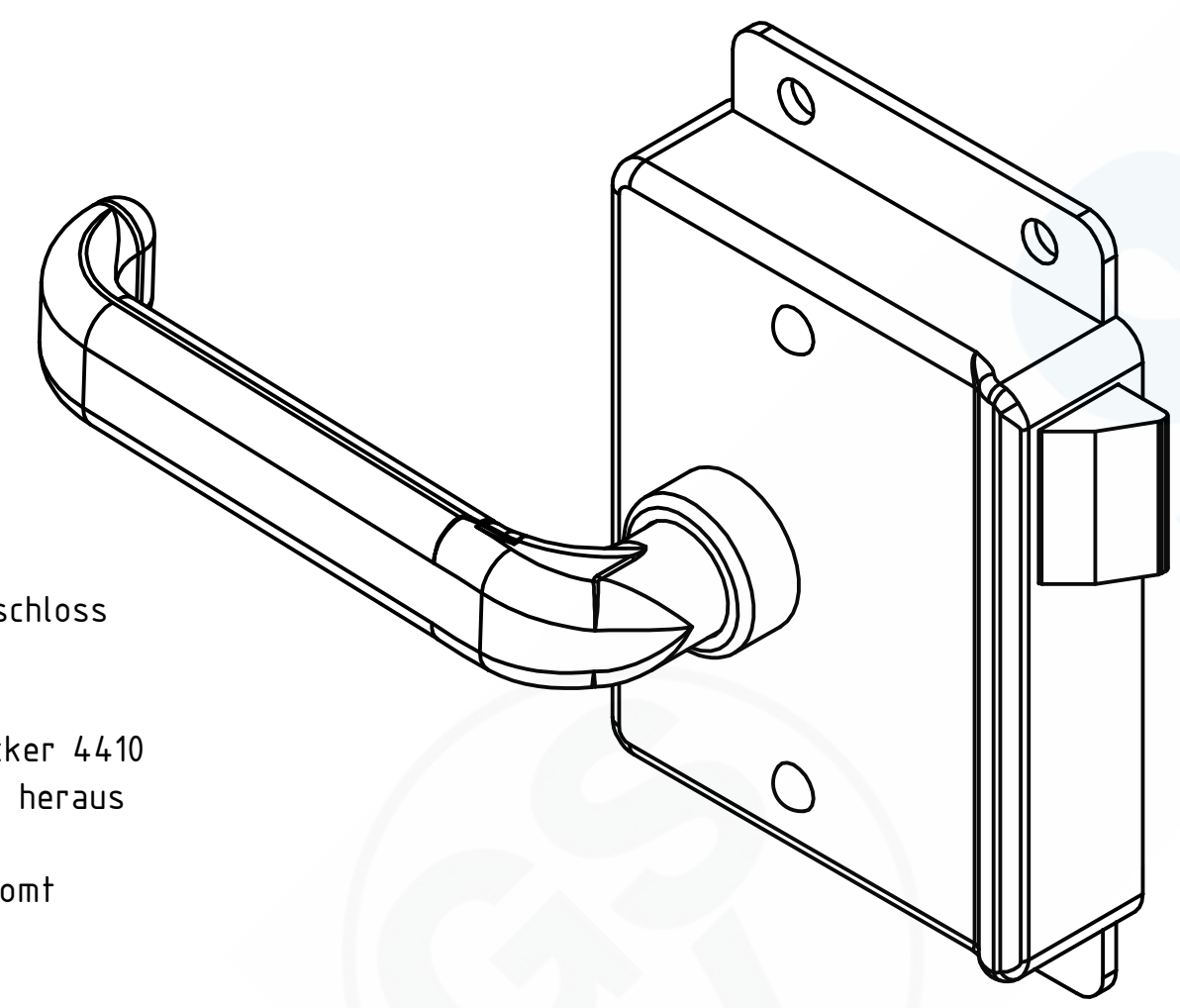
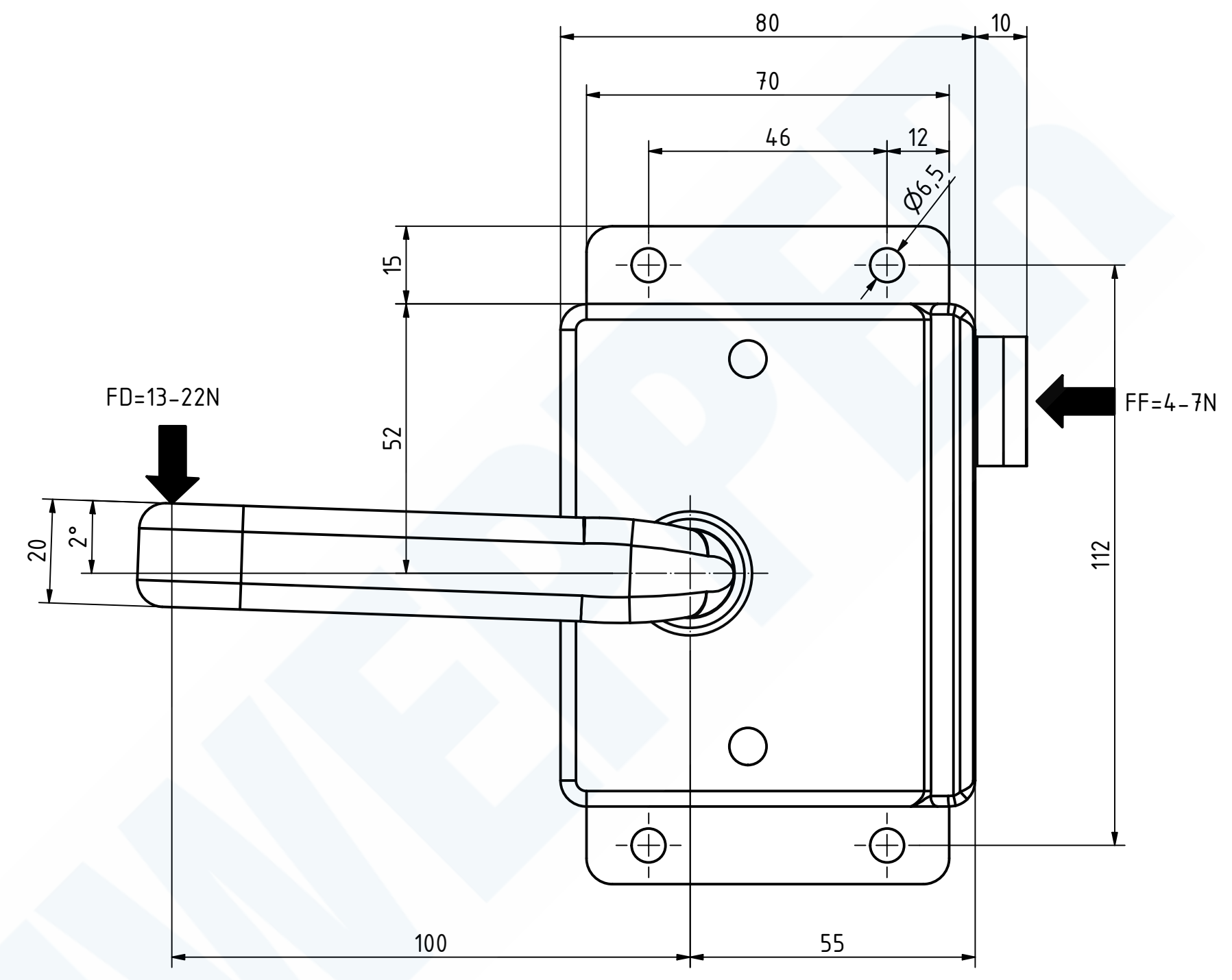
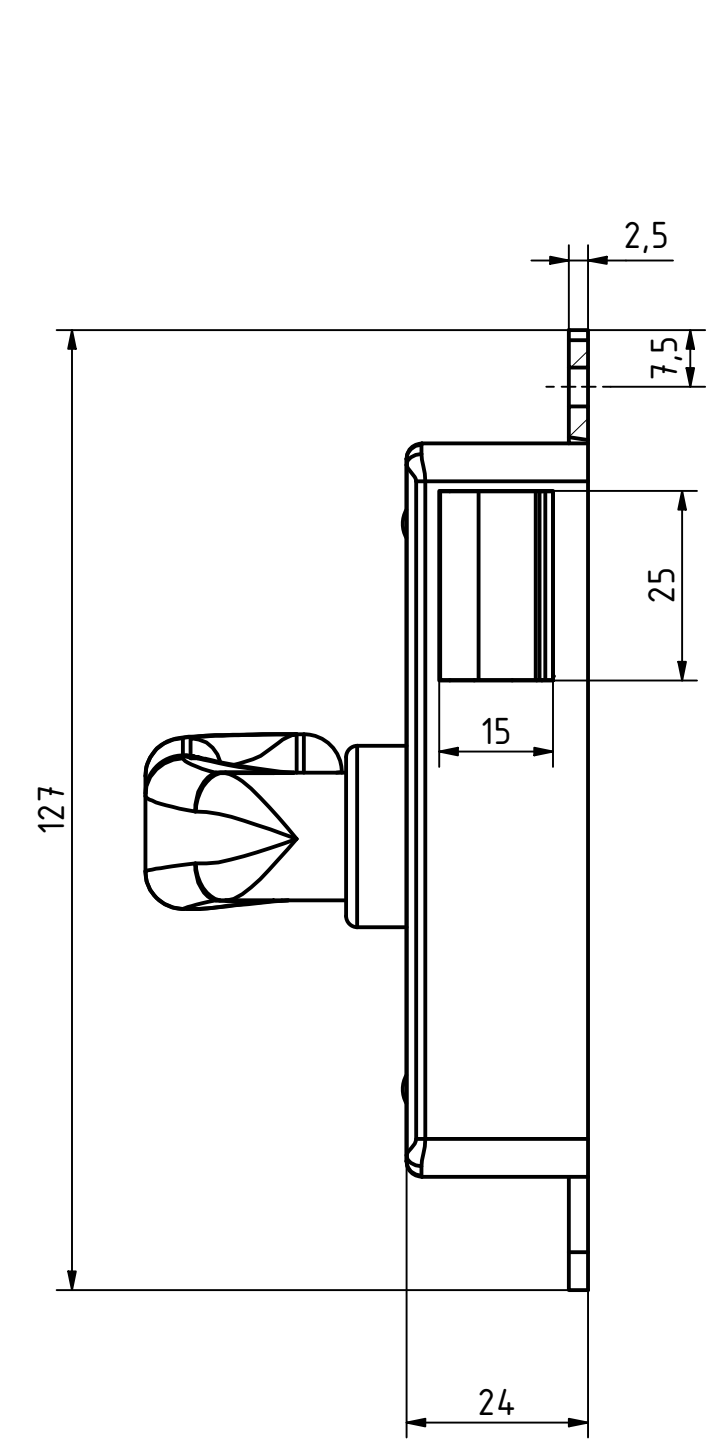


The reproduction, distribution and diffusion of this document as well as the disclosure of its contents to third parties without the express written authorization of the manufacturer is prohibited. All rights reserved in the event of the grant of a patent, utility model or design.



126505 Kastenfallenschloss
 GSV-Nr. 3232 S002
 rechts auswärts
 vormontiert mit Drücker 4410
 Drücker ragt 36,5mm heraus
 Falle Edelstahl
 Messing matt verchromt

126505 Rim latch
 GSV-No. 3232 S002
 right hand outwards
 preassembled with lever handle 4410
 handle protrusion 36,5mm
 Stainless steel bolt latch
 brass satin chromed

SCHWEPPER		GS		EDV-No.: 126505	
Beschlag GmbH & Co. KG Velberter Straße 83, 42579 Heiligenhaus Germany www.schwepper.com		Material:		Kastenfallenschloss	
Status		Datum		Name	
Changes		07.02.2024		mla	
Date		07.02.2024		M.Sch	
Technische Änderungen vorbehalten! Subject to technical changes!				GSV 3232 S002	
				1 / A2	