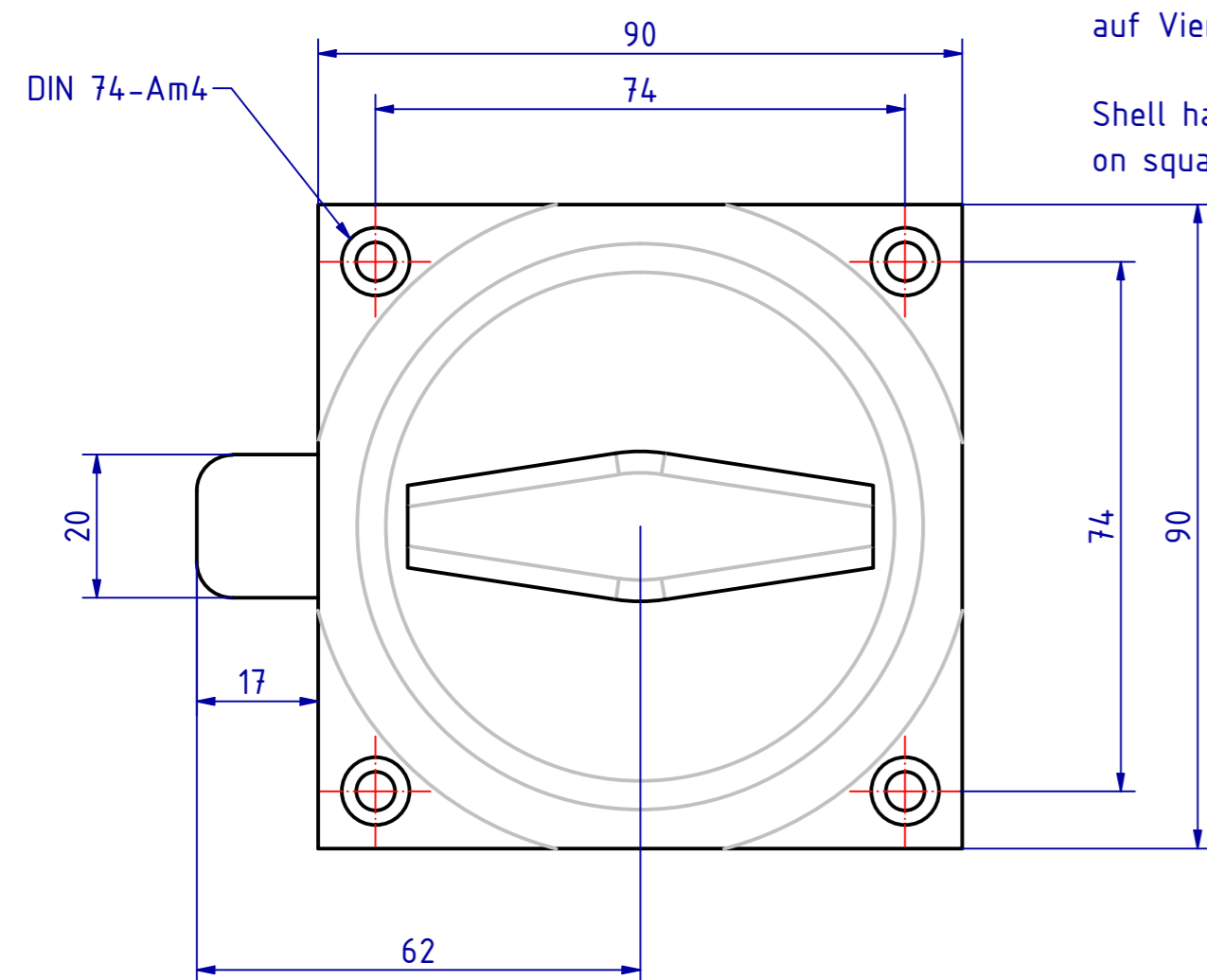
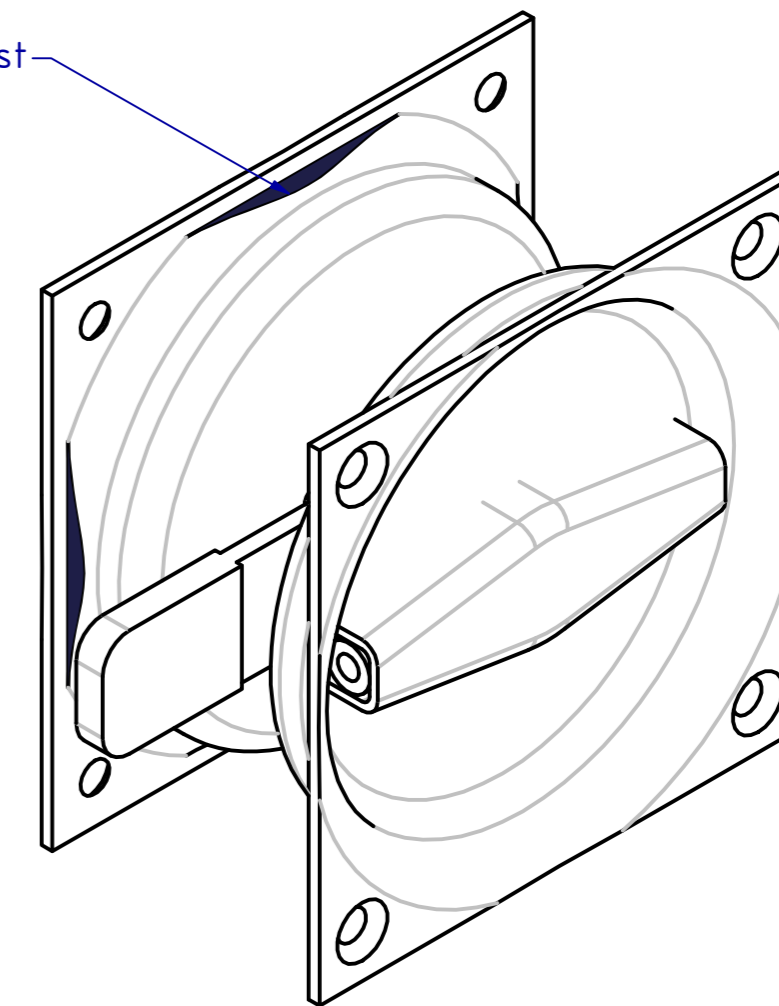
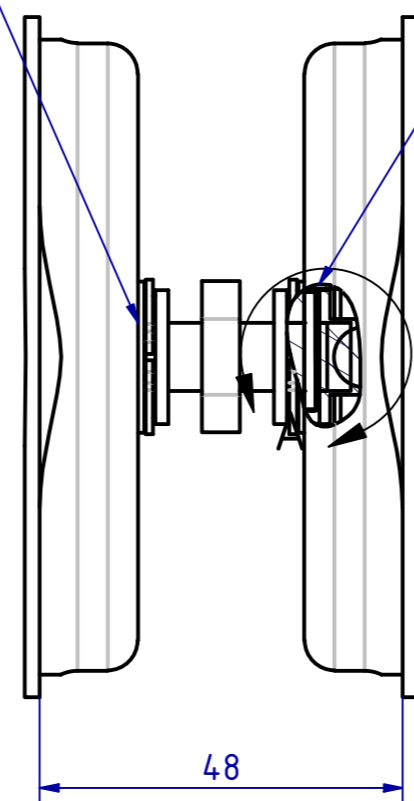


4x gefräst
4x milled



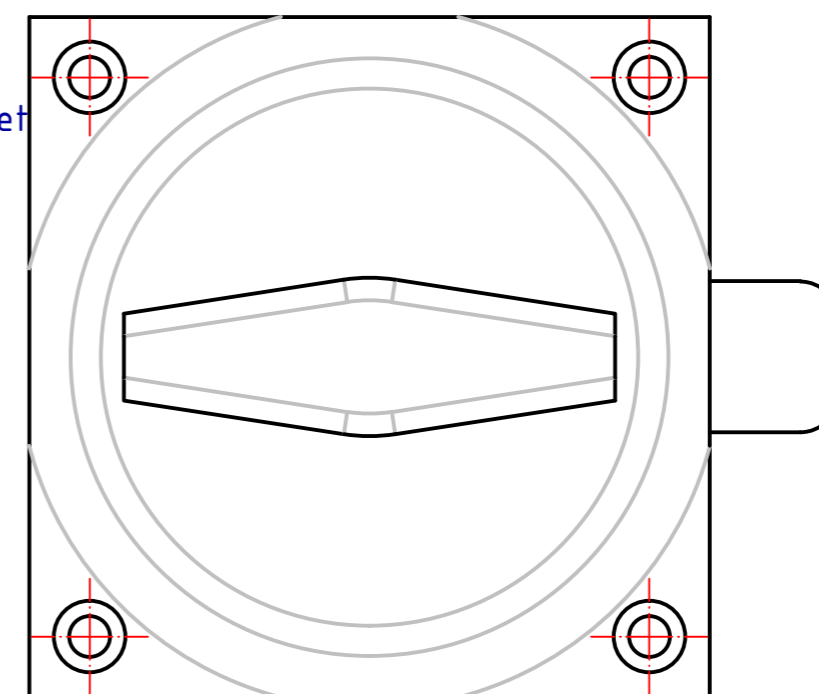
Muschelgriff lose
auf Vierkantstift

Shell handle loose
on square pin



Muschelgriff mit
Vierkant verstiftet

Shell handle with
Square pinned



SCHWEPPER

Beschlag GmbH & Co. KG
Velberter Straße 83, 42579 Heiligenhaus Germany
www.schwepper.com



EDV-No.: 125782

Material:

Drehgriff mit Vorreiber

GSV 7833 S005

1
A2

Technische Änderungen
vorbehalten!
Subject to technical
changes!

Datum		Name	
Gez.	10.10.2022	mla	
Gep.	10.10.2022	M.Sch	
Status	Changes	Date	Name

The reproduction, distribution and diffusion of this document as well as the disclosure of its contents to third parties without express authorisation is prohibited. Offenders will be held liable for the payment of damages. All rights reserved in favour of the grant of a patent, utility model or design.