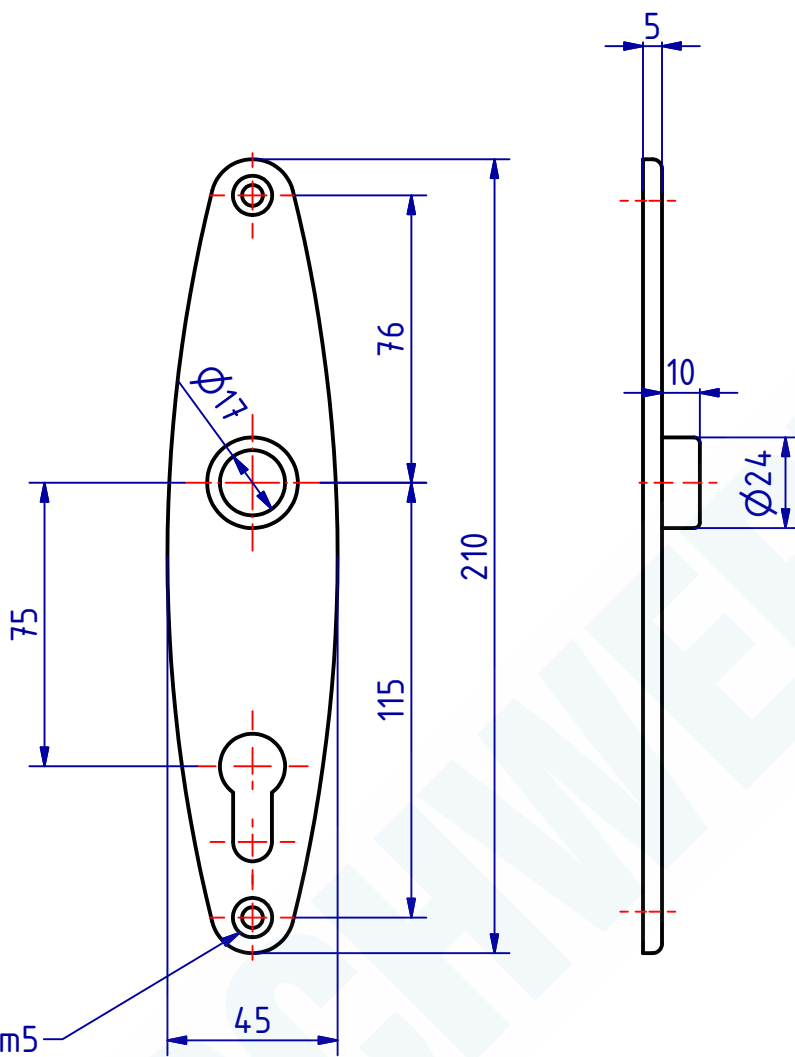


The reproduction, distribution and utilization of this document as well as the Communication of its contents to others without explicit authorization is prohibited. Offenders will be held liable for the payment of damages. All rights reserved in the event of the grant of a patent, utility model or design.



101266 Langschild mit Zylinderloch  
 GSV-Nr. 3302 Z / 2 - 75mm  
 Messing matt verchromt

101266 Long plate with cylinder hole  
 GSV-No. 3302Z / 2 - 75mm  
 brass satin chromed

**SCHWEPPER**

Beschlag GmbH & Co. KG  
 Velberter Straße 83, 42579 Heiligenhaus Germany  
 www.schwepper.com



EDV-No.: 101266

Material:

Langschild mit Zylinderloch

**Technische Änderungen vorbehalten!**  
**Subject to technical changes!**

GSV 3302 Z / 2 - 75mm

1  
A4

Status	Changes	Date	Name

	Datum	Name
Gez.	01.07.2021	mia
Gepr.	01.07.2021	M.Schwenk